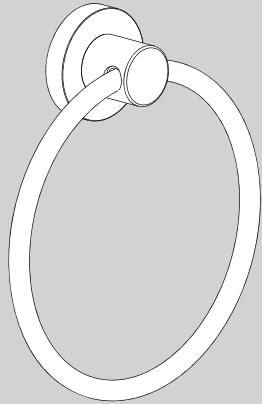
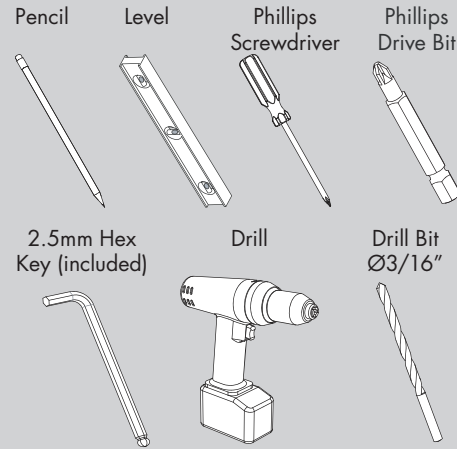


INSTRUCTIONS FOR MODELS

SA-2703 TOWEL RING



TOOLS AND SUPPLIES



IMPORTANT

- Do not over-tighten any connections or damage may occur.
- Be sure to read instructions thoroughly before beginning installation.

SAFETY TIPS

Cover the drain to prevent any loss of parts. Be sure to wear eye protection while assembling the product.

MAINTENANCE

Your new Speakman Product is designed for years of trouble-free performance. Keep it looking new by cleaning it periodically with a soft cloth. The use of harsh chemicals and abrasives on any of the Speakman custom finish products may damage the finish and void the product warranty. Please be sure to only use approved cleaners. Please contact Speakman for any clarification of acceptable cleaners.

WARRANTY

Warranty information can be found at: www.speakman.com

NEED HELP?

For additional assistance or service please contact:

SPEAKMAN®

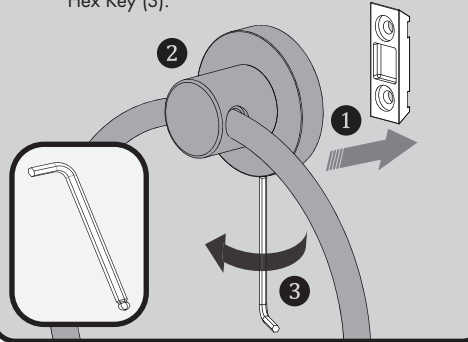
800-537-2107

customerservice@speakman.com

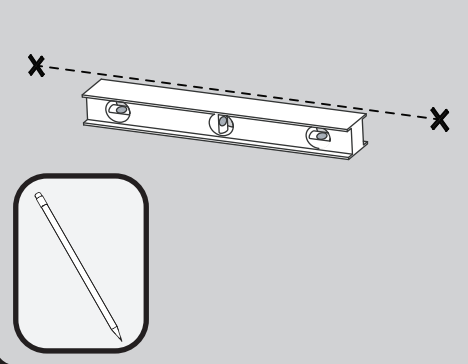
www.speakman.com

92-SA-2703-01

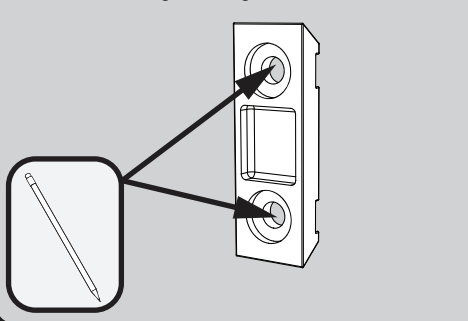
1 If the Mounting Plate (1) comes pre-installed in the Accessory (2), remove the Mounting Plate by loosening, but not removing the pre-installed Set Screw at bottom with the included 2.5mm Hex Key (3).



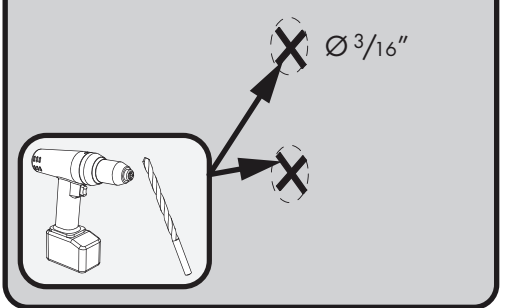
2 At the selected height, mark center point of mounting locations onto wall referencing the rough-in diagram.



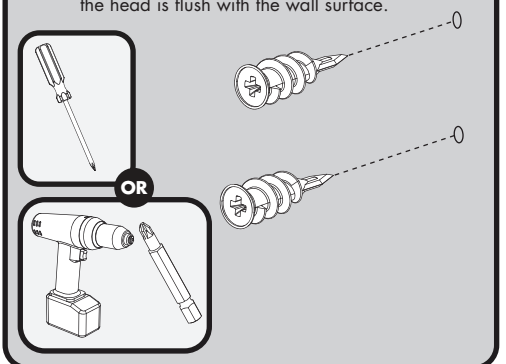
3 Align Mounting Plate over center point marked in previous step. Mounting Plate should be vertical as shown below. Mark Mounting Screw locations onto the wall surface. Remove item(s) after marking mounting locations.



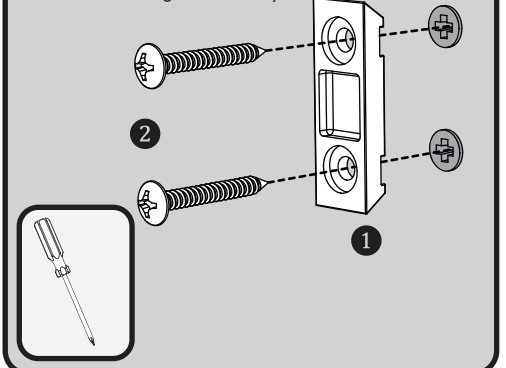
4 If mounting directly to wood stud, Plastic Anchors are not required. If mounting to tile, acquire proper mounting hardware capable of supporting the accessory in use. If mounting to drywall, drill guide holes at marked locations using a Drill equipped with a $\text{Ø} 3/16''$ bit.



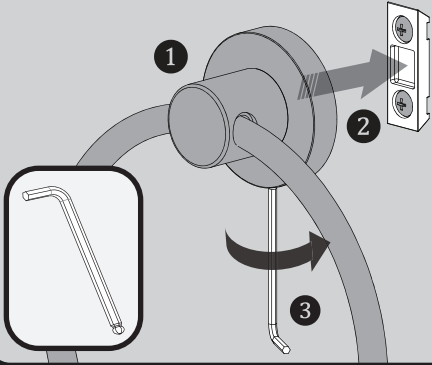
5 Insert Plastic Anchors into drilled holes and screw in the Anchor using a Phillips Head Screwdriver, or a Drill equipped with a Phillips Driver Bit until the head is flush with the wall surface.



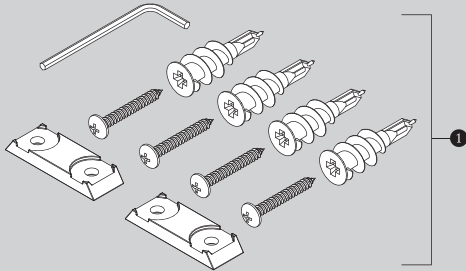
6 Secure Mounting Plate (1) with the Mounting Screws (2) provided. Verify that the Mounting Plate is aligned vertically.



7 Place Accessory (1) over Mounting Bracket (2) and secure it by tightening the pre-installed Set Screw with the included 2.5mm Hex Key (3).



SA-2703 REPAIR PARTS



ITEM NO.	PART NO.	DESCRIPTION
1	RPG05-104020	MOUNTING HARDWARE REPAIR GROUP

SA-2703 ROUGH-IN DIAGRAM

SPEAKMAN®

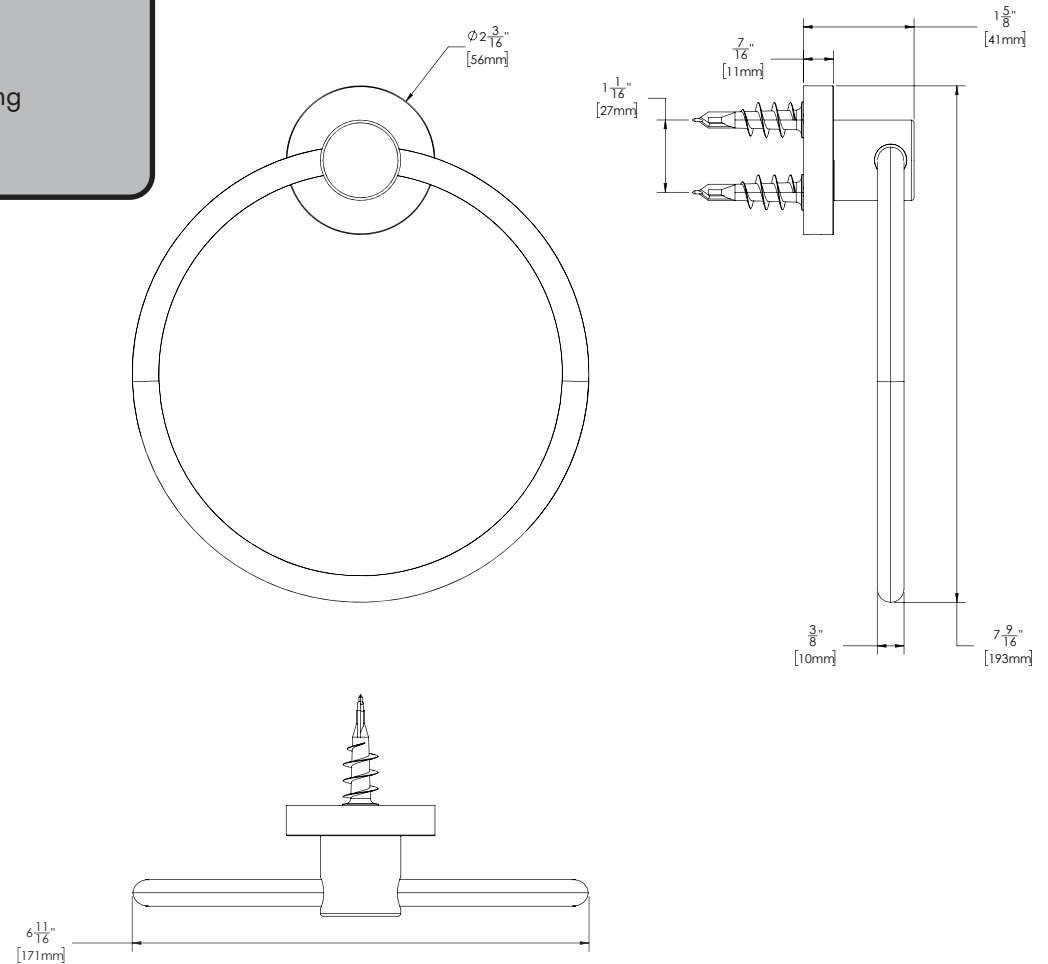
NOTES:

COMPLIANCE:

Finishes Meet: ASME A112.18.1
CSA B125.1

CONNECTIONS:

- Includes All Necessary Mounting Hardware.



DIMENSIONS SUBJECT TO CHANGE WITHOUT NOTICE.